

Orona 3G

1030

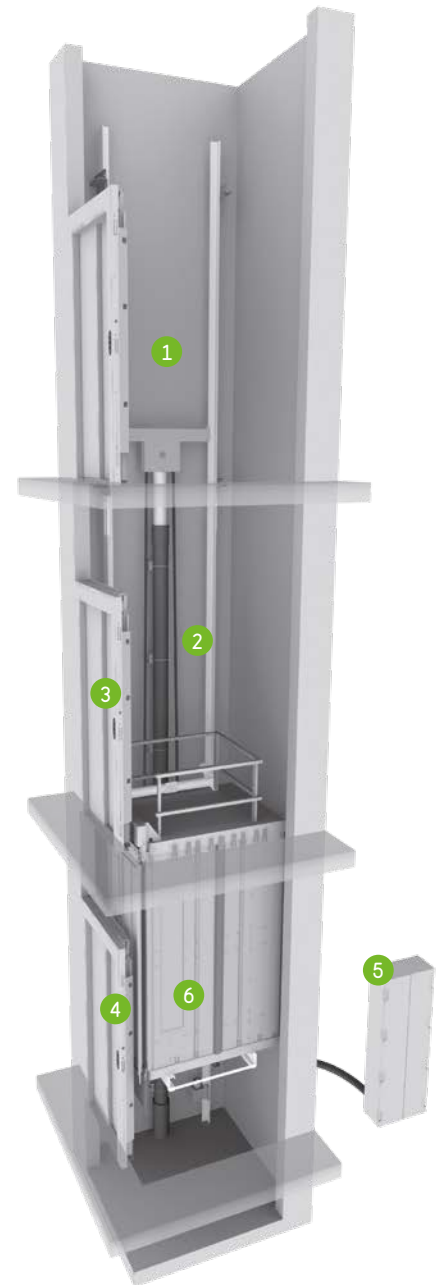
Hydraulic drive solutions

For light-traffic applications.
The versatile and adaptable hydraulic solution.

General specifications

Load	320 to 1,000 kg
Capacity	4 to 13 persons
Speed	0.6 m/s
Maximum travel	21 m
Maximum floors served	7 floors or 14 floors (only with two entrances)
Entrances	1 front / 2 open through / 2 front & side
Drive system	Hydraulic
Controller	ARCA II controller, low energy consumption multiprocessor
Door types	Automatic side-opening / Automatic central-opening / Semiautomatic + Articulated (BUS)
Clear door opening	From 600 to 1,600 mm (in 100 mm increments)
Door height	2,000 / 2,100 mm
Car dimensions	Parametric car dimensions
Internal car height	2,100 / 2,200 mm
Aesthetic solutions	DR1 / DR2 / DR3 / DR4 / DR5 / DR6 / DR7 / DR8 DS1 / DS2 / DS3 / DS4 / DS5 / Orona 3G Domo Plus

Standard Optional



1 HYDRAULIC LIFTS

The hydraulic systems, renowned for their long life cycle, are very versatile and offer convenient solutions to high load requirements or reduced shaft spaces.



2 PARAMETRIC/FLEXIBLE

Flexible car and door configurations ensure available shaft dimensions can be optimised (optional).



3 DOORS

Compact permanent magnet motor for fast, accurate and quiet door operation giving the most advanced performance. Advanced door opening and full height infra red door protection edges.



4 CAR ACCESSIBILITY

Optional EN 81-70 accessible car.
Optional car light control, including LED lighting options.



5 REDUCED MACHINE ROOM

As an alternative to a machine-room, the controller/machinery can be fitted into a metal cabinet and located in a convenient location within the building.



6 TWO-WAY COMMUNICATIONS

Between the lift and the emergency 24-hour Service Call Centre according to EN 81-28.



ECO-EFFICIENCY



ADAPTABILITY



DESIGN AND ACCESSIBILITY



CONTROL AND SAFETY

Standard dimensions*

Load / capacity		Lift shaft ⁰														
		Side piston (TT)						Rear piston (HH)				HF Pit		HUP ² Headroom		
		Standard car			Lift shaft			Lift shaft				Std.	Without safety space (EN 81-21)	Std.	Without safety space (EN 81-21)	
Persons	Q Load	AC Width	FC Depth	PL Clear opening	Entrances		AH Width	FH ¹ Depth	AH Width	FH ¹ Depth						
					Accessibility	No. of entrances										
4	320 kg	825	1,100	700		1	1,250	1,350	1,175	1,650	1,200	615	3,010			
						2 x 180 ⁰	1,250	1,500								
						2 x 90 ⁰	1,400	1,350								
6	450 kg	1,000	1,250	800	♿	1	1,425	1,500	1,325	1,800						
						2 x 180 ⁰	1,425	1,650								
						2 x 90 ⁰	1,575	1,500								
8	630 kg	1,100	1,400	900	♿	1	1,575	1,650								
						2 x 180 ⁰	1,575	1,800								
						2 x 90 ⁰	1,675	1,650								
10	800 kg	1,350	1,400	900	♿	1	1,800	1,650	1,700	1,975						
						2 x 180 ⁰	1,800	1,800								
						2 x 90 ⁰	1,925	1,650								
13	1,000 kg	1,100	2,100	900	♿	1	1,550	2,350	1,250	875	3,400	3,230				
						2 x 180 ⁰	1,550	2,500								
						2 x 90 ⁰	1,675	2,350								
		1,600	1,400	1,000	♿	1							1,700	1,975		
						2 x 180 ⁰										
						2 x 90 ⁰										

0 Minimum plumb measurements

1 Shaft depth with door tracks projecting 60 mm on the landing

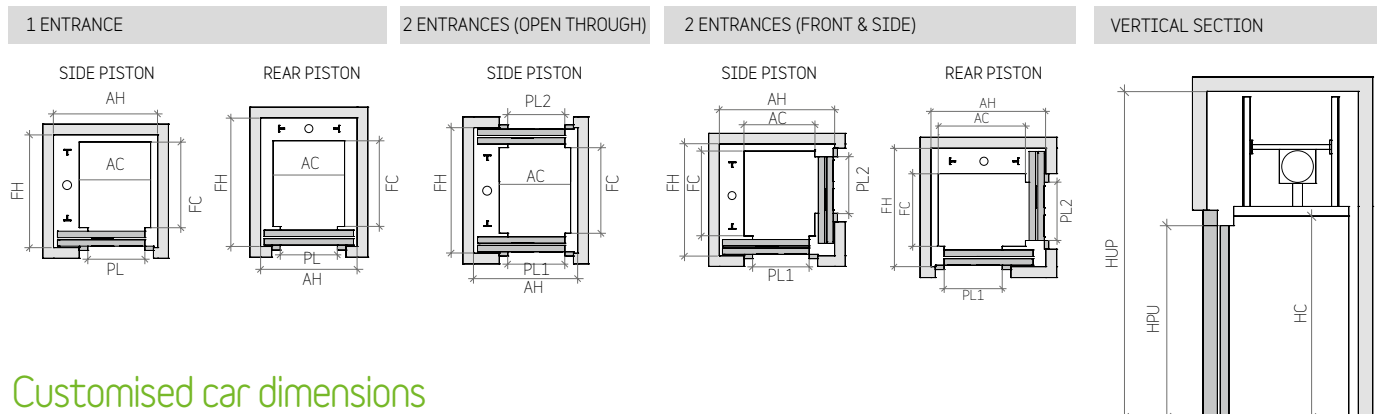
2 HUP minimum for internal car height (HC) of 2,100 mm

TT - Two panel telescopic door

HH - Four panel central door

* The information is not contractually binding and is subject to the conditions of the shaft

Layout



Customised car dimensions

SIDE PISTON										Car width																		
					16	15	14	13	12	11	10																	
					16	15	14	13	12	11	10	9																
	16	16	15	13	13	12	11	10	9																			
	15	14	13	13	12	10	10	9	8	8	7	6	5	5														
	13	13	12	11	10	10	9	8	8	7	6	5	5	4														
	12	11	10	10	9	8	8	7	7	6	5	5	4	4														
	10	10	9	8	8	8	7	6	6	5	5	4	4															
	9	8	8	8	7	7	6	5	5	4	4																	
2,100	2,000	1,900	1,800	1,700	1,600	1,500	1,400	1,300	1,200	1,100	1,000	900	800															
Car depth																												
1,500	1,400	1,300	1,200	1,100	1,000	900	800																					
Car depth																												

Note:
Car width and depth variable in increments of 5 mm.
For simplification, table samples show increments of 100 mm.

Note:
Car width and depth variable in increments of 5 mm.
For simplification, table samples show increments of 100 mm.

