

Orona 3G 2025

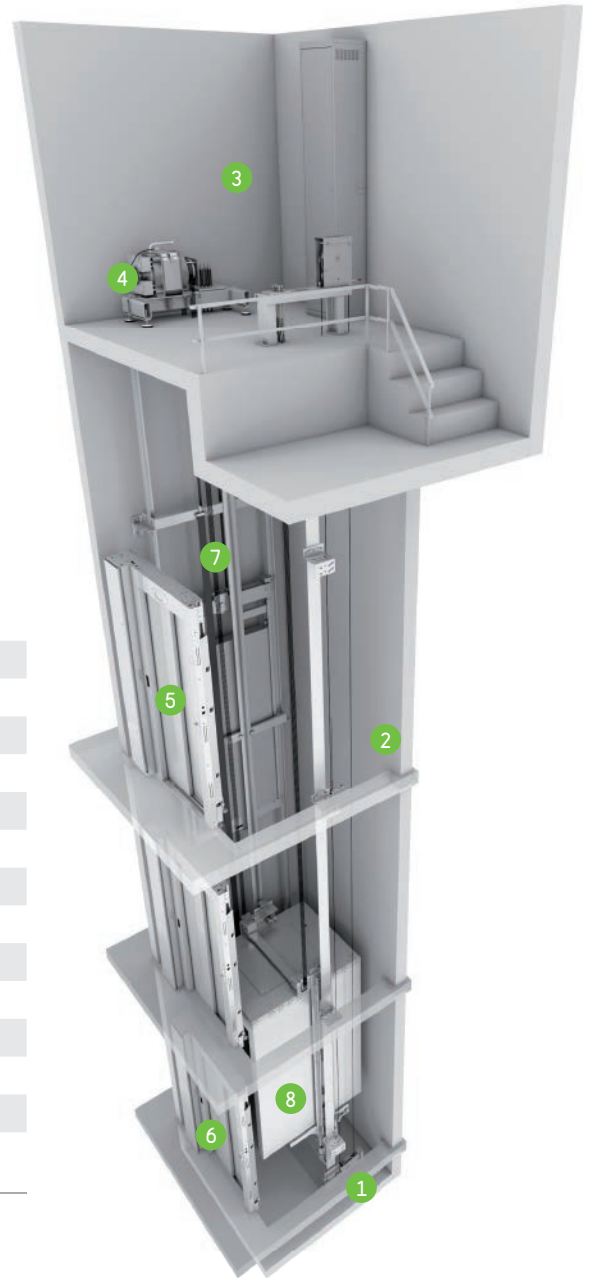
Customised solution for public buildings with high traffic

Machine-room above electrical gearless solution.

General specifications

Load	320 to 1,000 kg
Capacity	4 to 13 persons
Speed	1 - 1.6 m/s
Maximum travel	60 m
Maximum floors served	16 - 21 floors
Entrances	1 front / 2 open through
Drive system	Regulated gearless (240 starts per hour)
Controller	ARCA III controller, low energy consumption multiprocessor
Door types	Automatic side-opening / Automatic centre-opening
Clear door opening	From 800 to 1,500 mm (in 100 mm increments)
Door height	2,000 / 2,100 / 2,200 / 2,300 mm
Car dimensions	Parametric car dimensions
Internal car height	2,100 / 2,200 / 2,300 / 2,400 mm
Aesthetic solutions	Orona 3G Public Packs Reference / Orona 3G Public Packs Selection / Orona 3G Public Plus

Standard Optional



1 ACCESSIBLE SPACE BELOW THE PIT

Adapts the lift to suit buildings which have an accessible space below the pit (optional).



2 PARAMETRIC/FLEXIBLE

Flexible car and door configurations ensure available shaft dimensions to meet the requirements of the lift well (optional).



3 MACHINE-ROOM

A traditional solution simplifying lift maintenance.



4 DRIVE

Compact, quiet, gearless, energy efficient, speed regulated (VVVF) permanent magnet electric motor.



5 SOLID DOORS

Extra robust doors with reduced sound levels inside and outside the lift and which are specially constructed for high volume passenger traffic.



6 AUTOMATIC RESCUE SYSTEM

With floor level indication to ensure fast, efficient and safe evacuation of passengers in the event of an emergency. As an option, the system can incorporate a fully-automatic rescue device to evacuate passengers in the event of a power failure.



7 TRACTION ROPES

Orona small diameter ropes replace traditional steel ropes. As a result of their lighter weight, longer lifespan and greater flexibility, it is possible to use a more compact, efficient and eco-friendly gearless machine.



8 TWO-WAY COMMUNICATIONS

Between the lift and the emergency 24-hour Service Call Centre according to EN 81-28.



ECO-EFFICIENCY



ADAPTABILITY



DESIGN AND ACCESSIBILITY



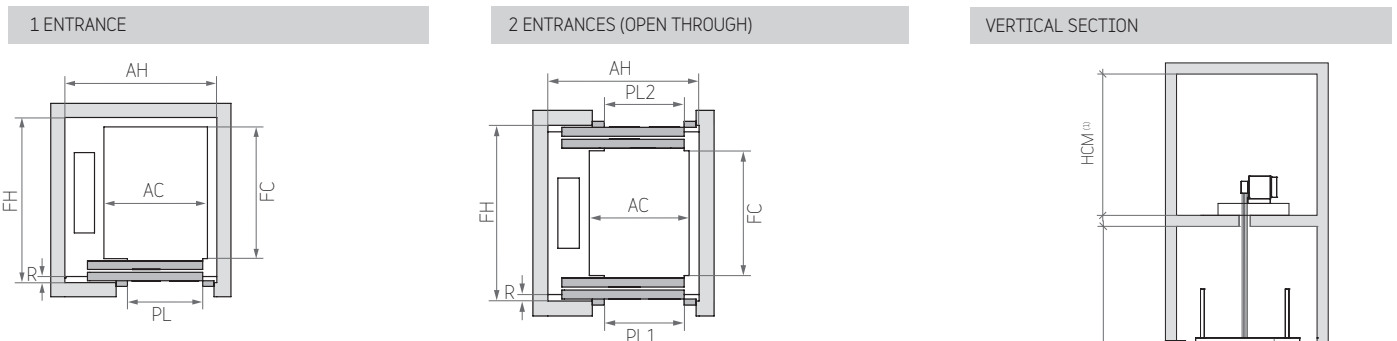
CONTROL AND SAFETY

Customised solution, examples of dimensions*

Load / capacity			Car			Lift shaft ⁰						HF Pit	HUP ⁴ Headroom
						Entrances		Side-opening TT doors		Central-opening CC doors			
Speed	Persons	Q Load	AC Width	FC Depth	PL Clear opening	Accessibility	No. of entrances	AH Width	FH ¹ Depth	AH Width	FH ² Depth		
1 m/s	6	450 kg	1,000	1,250	800	♿	1	1,470	1,520	1,720	1,470	1,000 (850) ³	3,400
							2x180 ⁰		1,690		1,590		
	8	630 kg	1,100	1,400	900	♿	1	1,570	1,670	1,900	1,620		
							2x180 ⁰		1,840		1,740		
	10	800 kg	1,350	1,400	900	♿	1	1,820	1,670	1,900	1,620		
							2x180 ⁰		1,840		1,740		
	13	1000 kg	1,600	1,400	1,000	♿	1	2,070	1,670	2,100	1,620		
							2x180 ⁰		1,840		1,740		
1,400			1,600	1,000	1		1,870	1,870	2,100	1,820			
					2x180 ⁰			2,040		1,940			
1,100	2,100	1,000	1	1,720	2,370	2,100	2,320						
			2x180 ⁰		2,540		2,440						
1,6 m/s	6	450 kg	1,000	1,250	800	♿	1	1,470	1,520	1,720	1,470	1,120	3,550
							2x180 ⁰		1,690		1,590		
	8	630 kg	1,100	1,400	900	♿	1	1,570	1,670	1,900	1,620		
							2x180 ⁰		1,840		1,740		
	10	800 kg	1,350	1,400	900	♿	1	1,820	1,670	1,900	1,620		
							2x180 ⁰		1,840		1,740		
	13	1,000 kg	1,600	1,400	1,000	♿	1	2,070	1,670	2,100	1,620		
							2x180 ⁰		1,840		1,740		
1,400			1,600	1,000	1		1,870	1,870	2,100	1,820			
					2x180 ⁰			2,040		1,940			
1,100	2,100	1,000	1	1,720	2,370	2,100	2,320						
			2x180 ⁰		2,540		2,440						

- 0 Minimum plumb measurements
 - 1 R=60 mm, shaft depth with 2 panel telescopic door tracks projecting 60 mm on the landing
 - 2 R=40 mm, shaft depth with 2 panel central door tracks projecting 40 mm on the landing
 - 3 HF reduced pit optional 850 mm
 - 4 HUP minimum for internal car height (HC) 2,100 mm
- Note: minimum AH dimensions calculated with the most favourable combination of controller cabinet and door pillar it is connected to
- * The information is not contractually binding and is subject to the conditions of the shaft
- TT - Two panel telescopic door
CC - Two panel central door

Layout*

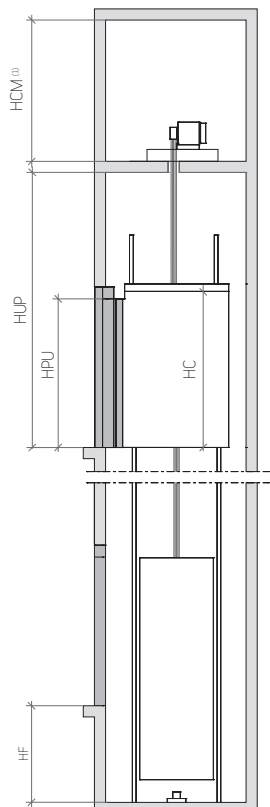


* Note: The diagrams are for guidance only

Customised car dimensions

Car width																			
												1,600							
												1,500							
												1,400							
												1,300							
												1,200							
												1,100							
												1,000							
												900							
2,100	2,000	1,900	1,800	1,700	1,600	1,500	1,400	1,300	1,200			800	900	1,000	1,100	1,200	1,300	1,400	1,500
											Clear door opening								

Note: Dimensions considering 1 entrance. Car width and depth variable in increments of 5 mm. For simplification, table samples show increments of 100 mm.



(1) HCM - minimum 2,000 mm